

Dear Neighbor,

We have come a long way since the San Joaquin Cross Valley Loop (SJXVL) project was approved by the California Public Utilities Commission (CPUC) in 2010. Today I'm happy to share with you the progress we continue to make on this important infrastructure upgrade.

Since construction began in the corridor, we have completed the Big Creek Rebuild—the dismantling and reconstruction of the existing single-circuit transmission lines in the north-south transmission corridor. Now, we are well underway with the construction of the “loop” part of the Cross Valley Loop project.

The “Loop” is the transmission line segment that will tap into the under-utilized Big Creek-Springville transmission lines to bring more power to Rector Substation, and ultimately to the electrical need area, which includes northern Tulare County and northeastern Kings County.

SCE should be able to complete this construction in Fall 2014. Please note that this date is different from the date indicated on my October 28, 2013 letter. While progress continues, sometimes unforeseen events, such as weather and environmental factors, can cause the construction schedule to fluctuate. Our goal is to complete the project as quickly and safely as possible so that the upgraded transmission lines can be in full service to meet customer needs by Fall 2014.

Sincerely,



Bill DeLain
Deputy Director Northern Region
Local Public Affairs
Southern California Edison
(569) 685-3213



Patricia Bartoli-Wible
Project Liaison
Local Public Affairs
Southern California Edison
(661) 726-5620

2244 Walnut Grove Avenue
C/O Public Involvement & Education
G01, Quad 4C, 464C
Rosemead, CA 91770



For information about the San Joaquin Cross Valley Loop Project, please visit www.sce.com/crossvalley or call the toll-free project information line at **(866) 521-8881**.

Make sure to like us on Facebook and follow us on Twitter to get energy efficiency tips, breaking news and crucial safety information.
www.facebook.com/socaledison www.twitter.com/socaledison

FOR OVER 100 YEARS...LIFE. POWERED BY EDISON.



The San Joaquin Cross Valley Loop Transmission Project

Community Update

MARCH 2014

Construction Update

We are in the home stretch. This final part of San Joaquin Cross Valley Loop Project involves the construction of new double circuit tubular steel poles in the existing (north-south) transmission corridor and the new (east-west) transmission corridor. In some areas where additional structure strength is needed, lattice steel towers will be utilized. See Figures A, B and C for illustrations of the project in the existing and new corridors.

Over the next few months, you will continue to see a variety of field crews engaged in a variety of activities, from transporting equipment, performing land surveys, clearing areas required for the Project, building roads, installing structure foundations, erecting new utility structures, and stringing lines.

Heavy construction vehicles and equipment, including dump trucks, and passenger trucks and vehicles will be present throughout construction activities.

Please feel free to contact us with any questions or concerns at (866) 521-8881. You can also send an email to transmissionprojects@sce.com (indicate SJXVL in the subject line).

FIGURE A.

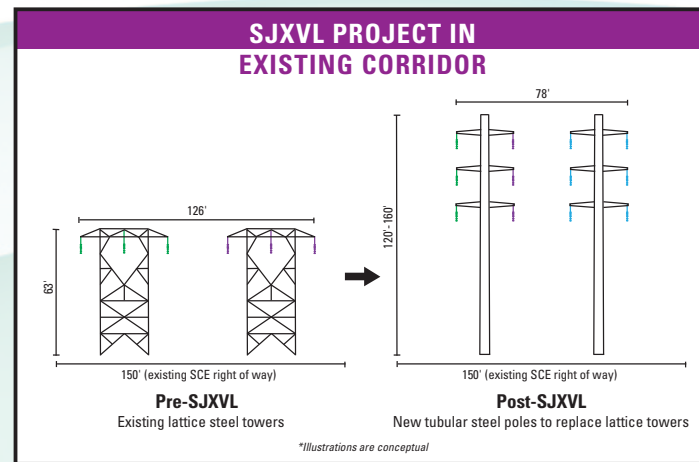


FIGURE B.

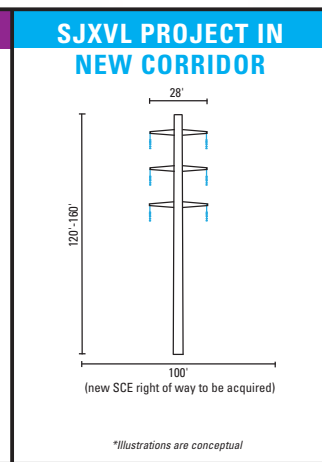
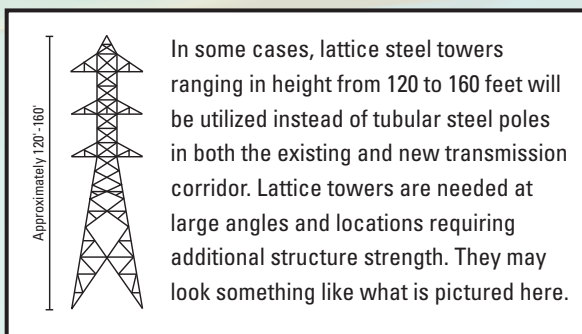


FIGURE C.



Introducing: Dennis Huitt, SJXVL Transmission Inspector

Chances are, if you've seen construction crews at work on the Cross Valley Loop project, Dennis Huitt was there. Dennis is the Transmission Inspector for the Cross Valley Loop project. That means he oversees all construction activities for the project, which is no easy task!

Dennis is a local boy. He was born in Woodlake and raised in Ivanhoe. Dennis loves the culture of the humble and hard-working agriculture community here in the Central Valley, which is why he has never been able to (nor has he wanted to) leave this idyllic region.

He has been with SCE for over 30 years, but don't expect him to retire anytime soon! He loves his job, which gives him the opportunity to work with great people in a community he loves.



Inspecting one of the steel poles for the Cross Valley Loop project.



Dennis attended Elbow Elementary. Go Coyotes!



your home or business more energy efficient. Learn more by visiting www.sce.com (select "Partners & Vendor" then "Energy Education Centers" then "Energy Education Center-Tulare"). You can also call the toll-free number at (800) 772-4822.

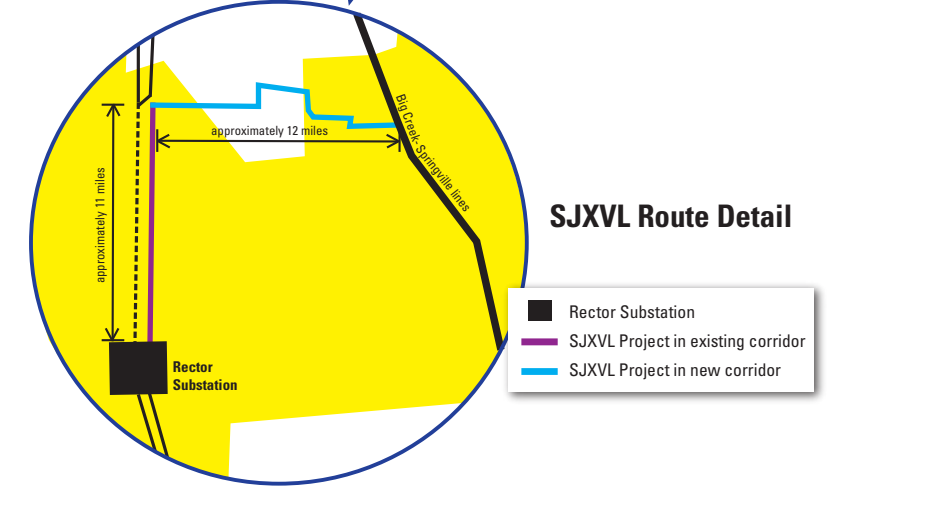
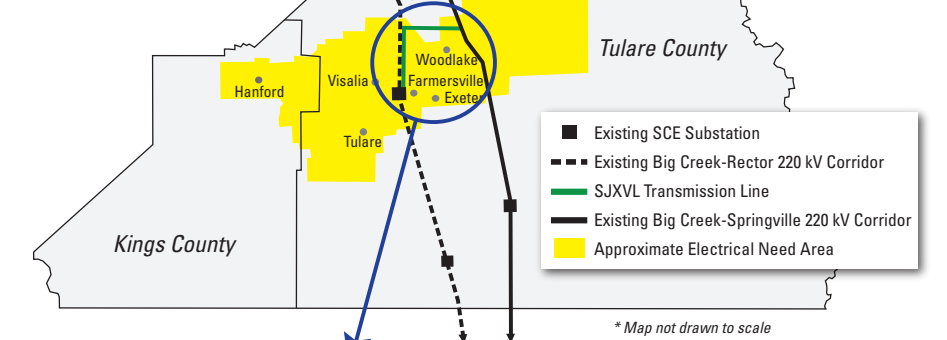
SCE IN YOUR COMMUNITY

Did you know that you can learn how to save energy and money through classes, workshops, demonstrations, technical consultations, and program and rebate information? Our Tulare Education Center offers a wide range of resources to help you make better energy decisions for your home or business. You can also visit our Tool Lending Library to access the tools and knowledge you need to make



Crews are busy at work finishing towers for the SJXVL Project.

San Joaquin Cross Valley Loop (SJXVL) Project Map



SAFETY CORNER During construction activities, SCE implements a number of safety measures to ensure that members of the public as well as SCE crews remain safe. It is very important that members of the public do not enter construction areas at any time. If you have any questions or concerns, please do not approach construction sites for information. Instead, please call our toll-free project information line at (866) 521-8881. Safety is a top priority for SCE—and you can help. For other general safety tips and information, visit www.sce.com/safety.